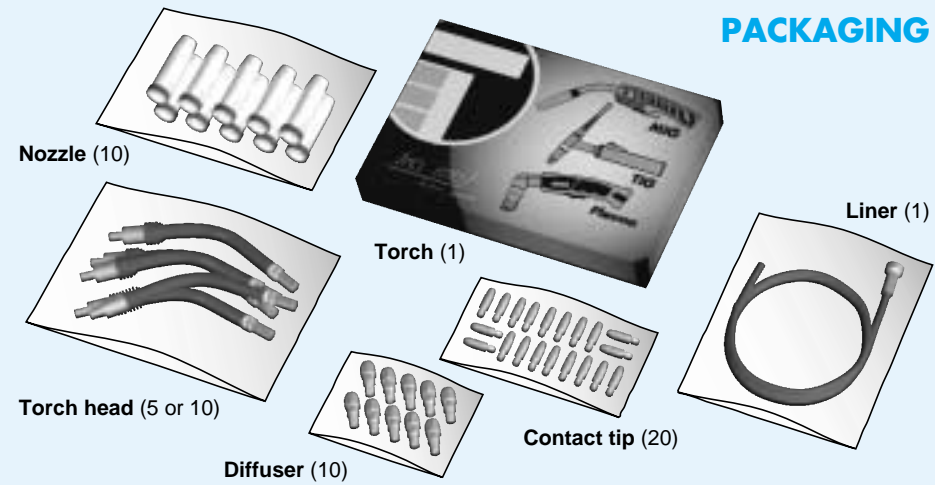


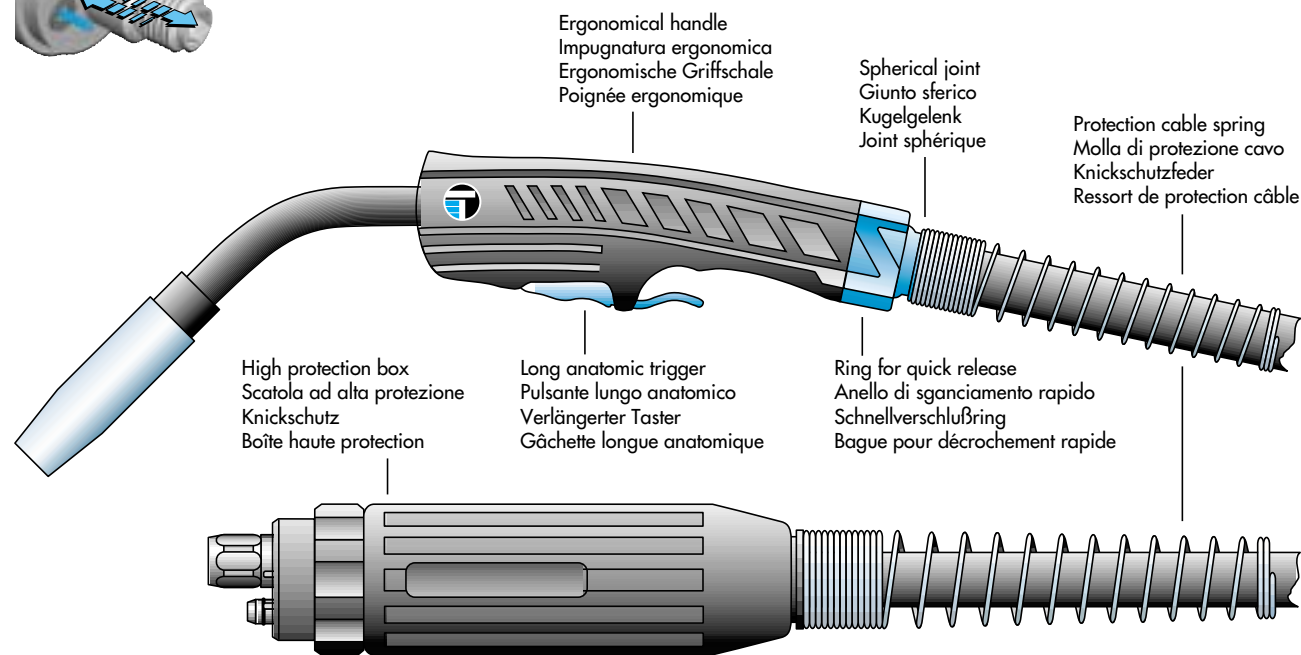


PACKAGING



MAXI 450

Code	m	Liner	Adaptor
MA 6450	3	GM 12	AR 81
MA 6451	4	GM 12	AR 81
MA 6452	4.6	GM 12	AR 81
MA 6465	3	GM 12	AR 83
MA 6466	4	GM 12	AR 83
MA 6467	4.6	GM 12	AR 83



MAXI 450

MIG TORCHES



trafimet

your welding partner

TRAFIMET spa claims that all items on this catalogue are manufactured in conformity with the "low voltage" CE 73/23 directive as per EN 50078 standard.
The company reserves the right to modify any of its products without notice.
TRAFIMET spa is the registered owner of all trademarks, patents and models.

Copyright © June 1997 • by TRAFIMET spa (Print 01/98)

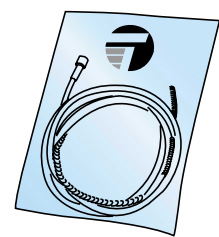
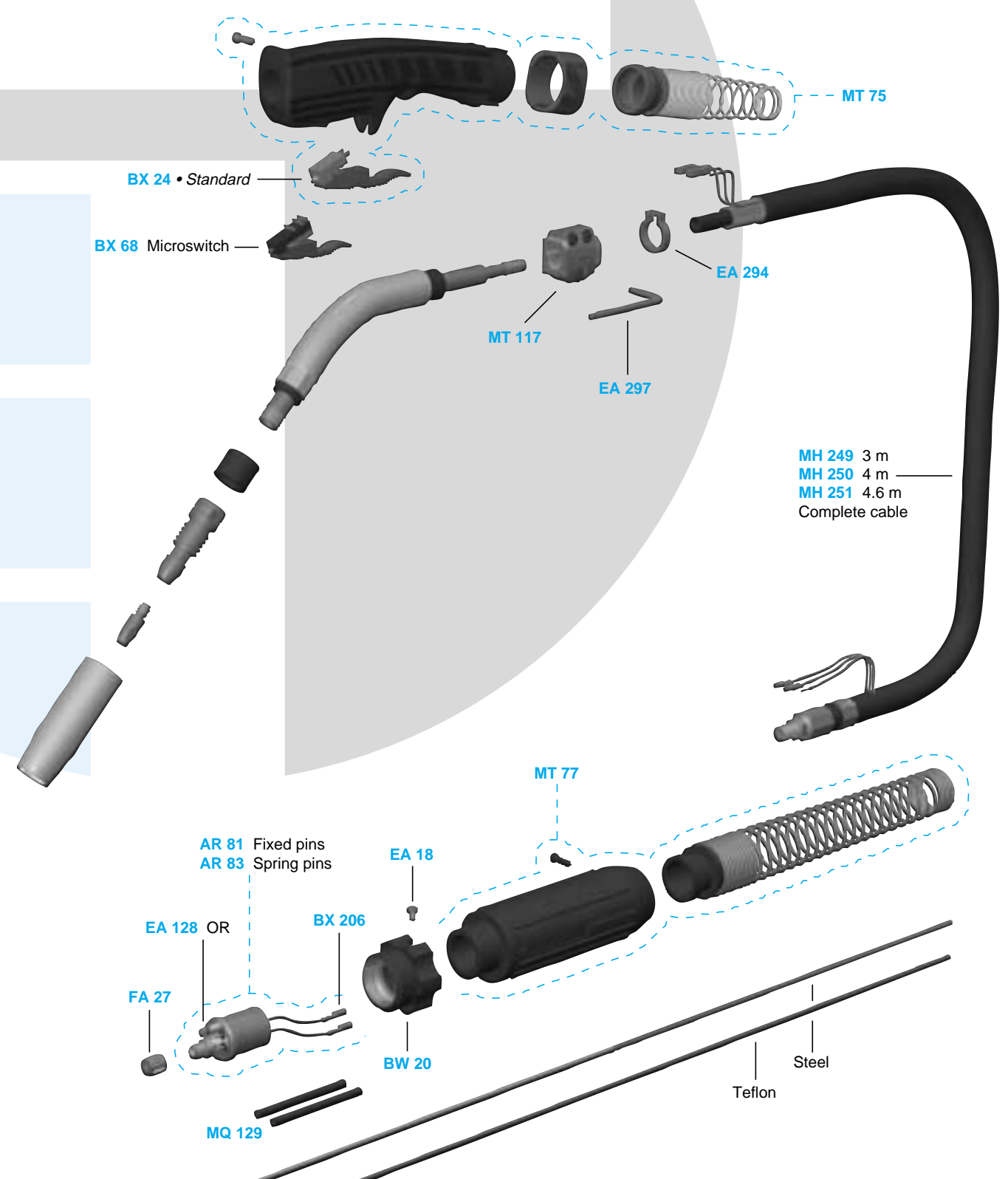
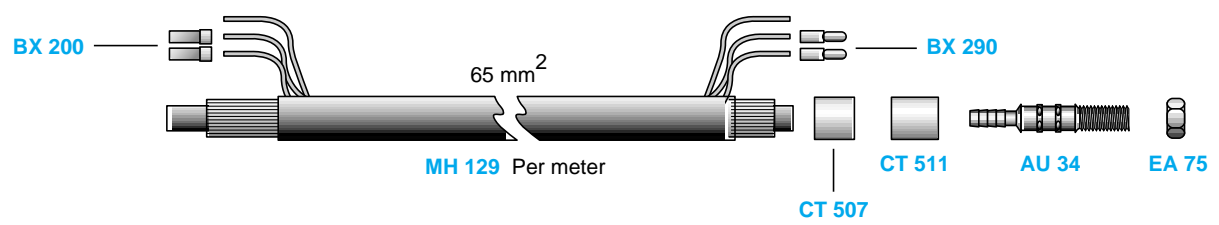
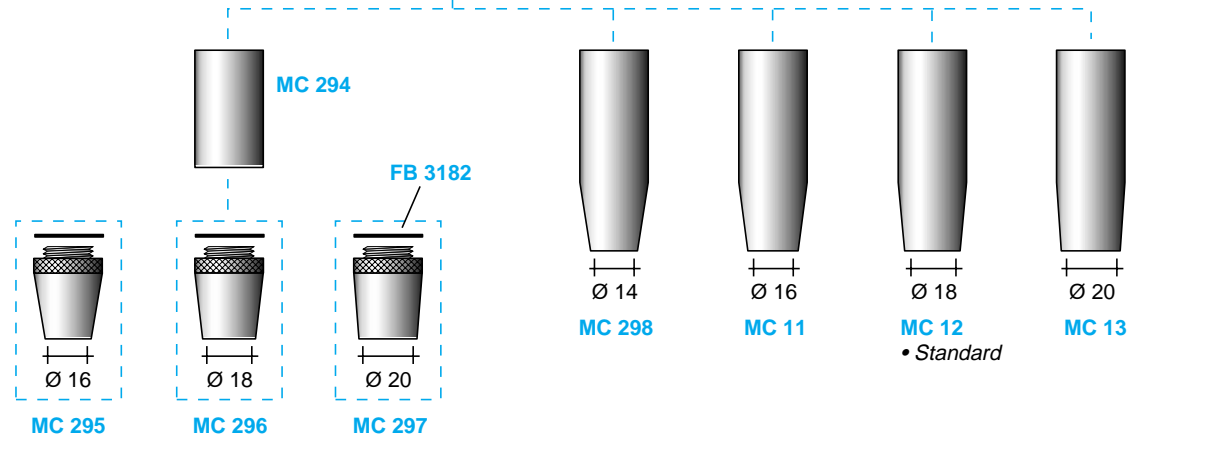
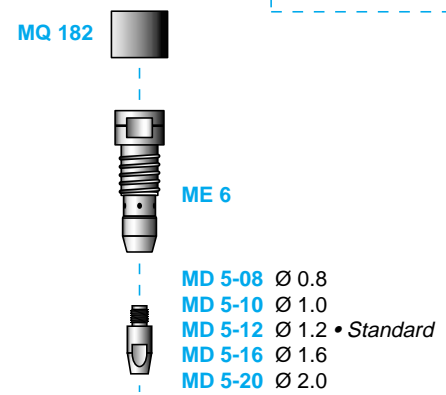
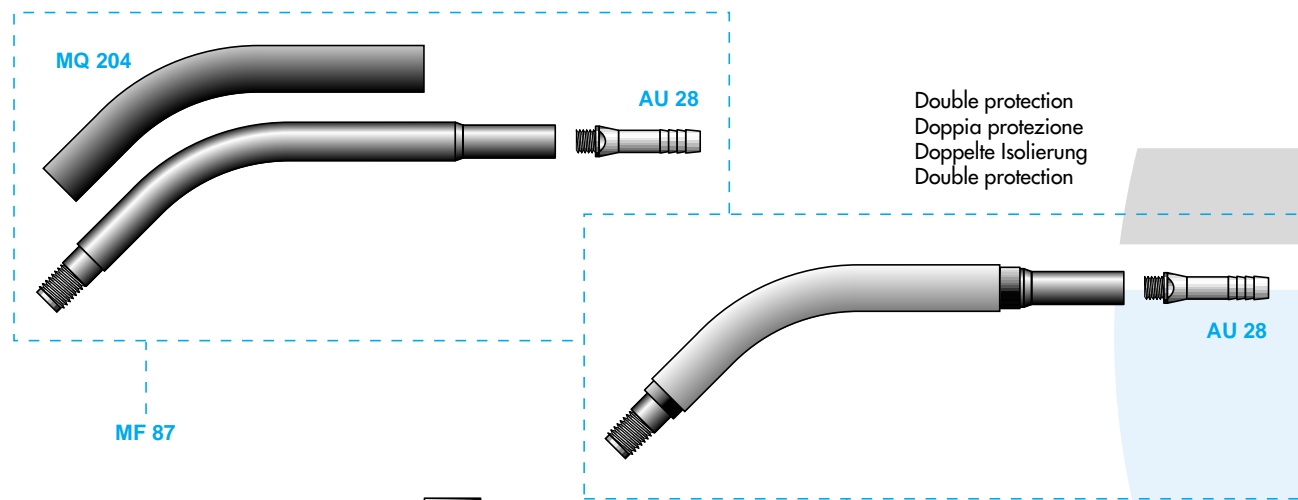
EA 0547



EN 50078

trafimet

your welding partner



	m	wire 0.9 + 1.2	wire 1.2 + 1.6	wire 1.6 + 2.0
STEEL	4.6	GM 226 44-3545-15 (Green)	GM 13 44-116-15 (Gray)	GM 221 44-567-15 (Yellow)
TEFLON ALUMINUM WIRE	4.6	GM 230 42N3545-15 (Red)	GM 231 44N-116-15 (Yellow)	-

Technical data		MAXI 450
Voltage class	L	
Cooling	Air cooled	
Wire Ø mm	0.8 • 1.0 • 1.2 • 1.6 • 2.0	
Duty cycle	500A 60% CO ₂	
	400A 60% Mix • 100% CO ₂	

